



CFVB

Black with  
Stainless Steel Fascia



CFVSS

316 Stainless Steel with  
Stainless Steel Fascia



FUEL CAPACITY  
1.5 LT BIO-ETHANOL



BURNING TIME  
UP TO 5 HOURS



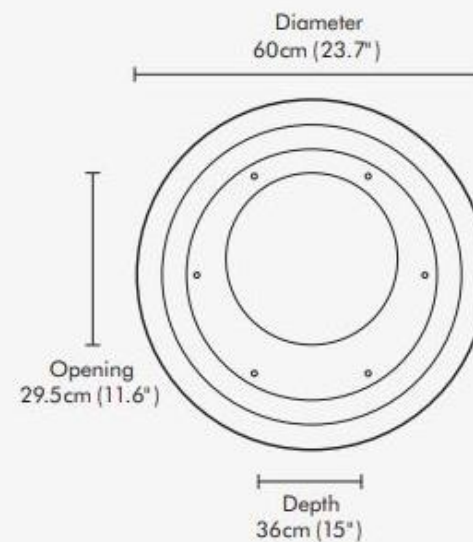
AVG. CONSUMPTION  
 $\pm 0.30$  LT/HR



3.0 kW  
OUTPUT

COCOON VELLUM

## TECHNICAL SPECIFICATIONS



### Mounting Bracket

- 316 Marine Grade  
Stainless Steel Mirror Finish