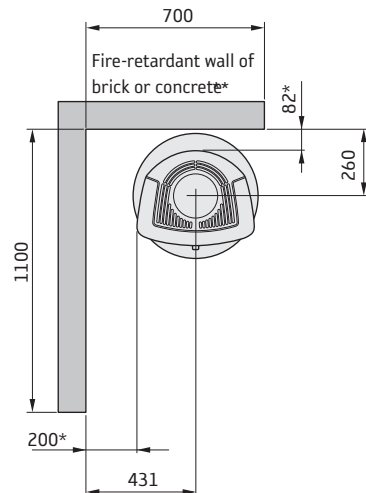
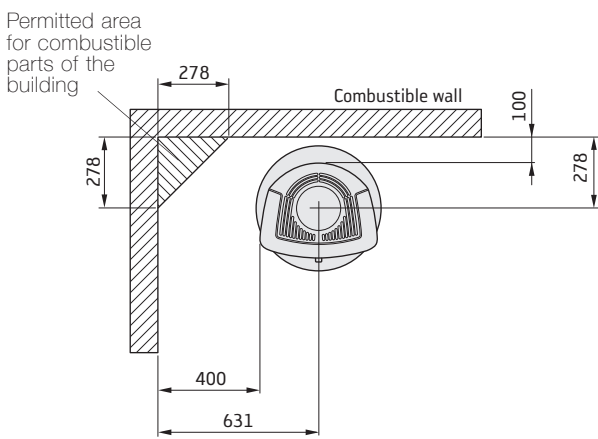
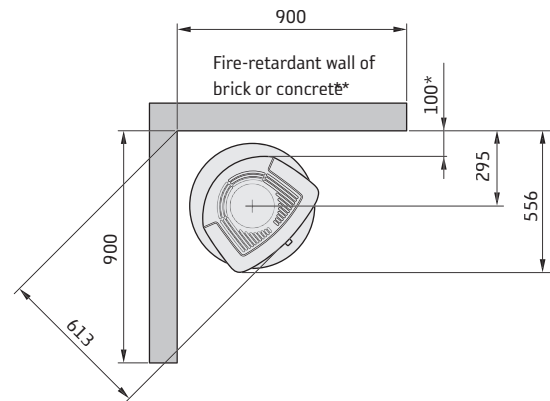
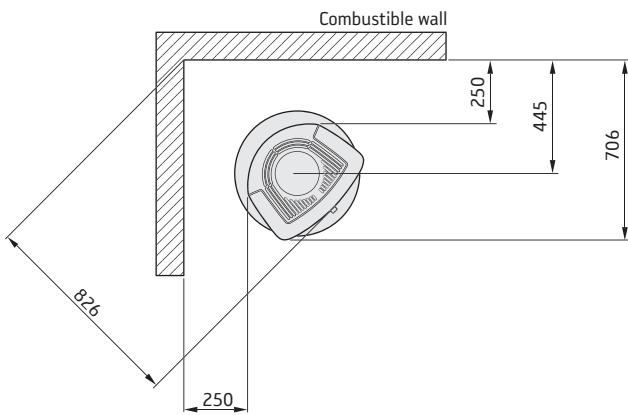
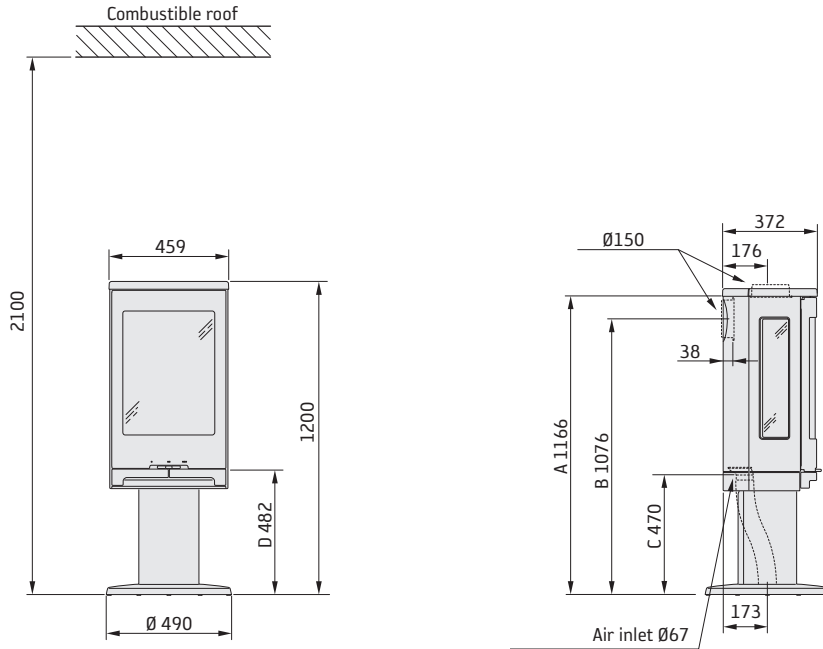


- A = height from floor to chimney connection upwards
- B = height from floor to c/c chimney connection rear
- C = height from floor to air inlet
- D = height from floor to lower edge of hatch



\* We recommended the same side distance as to combustible walls to prevent discolouration of painted non-flammable walls.